



Ningbo Advan Electrical Co., Ltd. is a MANUFACTURER for the production of new and high-tech medical instrument. It was established in 2003 with total investment of USD 3.8m Dollar. The corporation has strong technical capability and overall detecting device and production equipment matching with medical appliances, occupies an area of 16,210 sqm with the building area of new plant of 8,000 sqm., of which 300 sqm is for 100,000-Level purification plant. We have obtained ISO 13485 certificates for the quality control management and all our products have CE & FDA approval.

Disposable Skin Stapler & Remover



CE 0123 FDA ISO 13485 STERILE EO

NINGBO ADVAN ELECTRICAL CO., LTD

Add: Fuhai Industrial Zone, Cixi City, Zhejiang province, 315332 China
TEL: 86-21-34241733 FAX: 86-21-64691323

Contact Person: MS. Vivian Liu

Mobile Phone: 86-18621852097
E-mail: vivian@advan-china.com
MSN: vivian@advan-china.com
Website: www.advan-china.com

NINGBO ADVAN ELECTRICAL CO., LTD

Add: Fuhai Industrial Zone, Cixi City, Zhejiang province, 315332 China
Tel : 86-21-34241733 Fax: 86-21-64691323
Contact : Ms. Vivian Liu
E-mail: vivian@advan-china.com
Website: www.advan-china.com

DISPOSABLE SKIN STAPLER (F-35R & F-35W)



APPLICATION:

For Skin Closure in Operating Room, Labor and Delivery, Emergency Department, Outpatient Surgery, Clinics and physician's office.

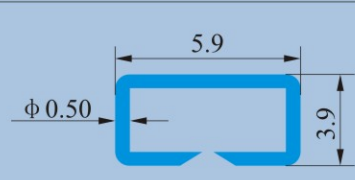
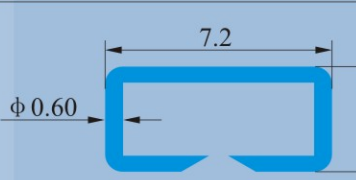


FEATURES:

- 1.Simple and reasonable design, easy to operate. Staples are made of High Quality 317L Stainless Steel for medical use.
- 2.High sewing up and stapling speed help to shorten the time of sewing and avoid the cross infection of many contagious diseases.
- 3.Smaller tissue reaction, much thinner scar after operation, and the wound opposites better and cure faster. Painless and convenient when remove staples after the operation incision healed up.

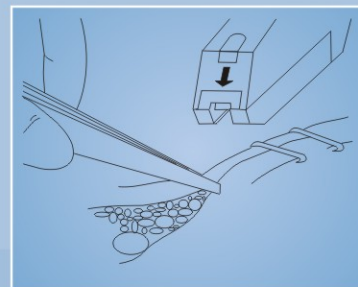


Model: F-35R (Regular Size for staple) F-35W (Wider Size for staple)

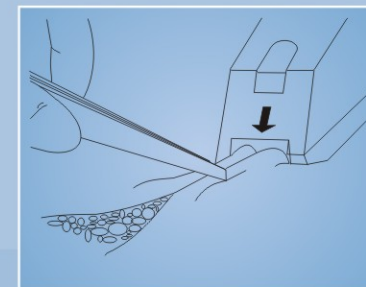
MODEL DIFFERENCE	F-35R Staple	F-35W Staple
		
Staple Diameter	0.5mm	0.6mm
Staple Size after closure	5.9mm*3.9mm	7.2mm*4.9mm
Qty Of Staples	35 pcs	35 pcs
Sterilization	ETO	ETO
Period Of Validity	5 Years	5 Years

PACKING: 5 pcs / box, 20 boxes / carton, 100 pcs /carton
G.W/carton: 11.2kgs , N.W /carton: 9.7 kgs

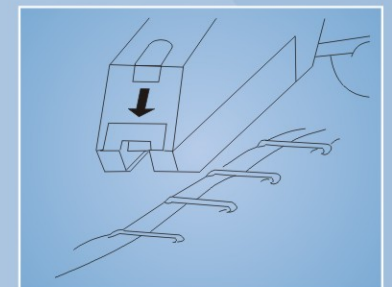
HOW TO USE ADVAN SKIN STAPLER



1.Pull up the skin of both sides of the operative incision; clamp it with tissue tweezers.



2.Let the bottom of the stapler is at the suitable angle to the middle line of the incision and the staple is vertical to the longitudinal axis of the incision, then put the stapler gently onto the incision till the fore-arrow levels with the middle line of the incision.



3.Clamp the handle to the bottom and don't loosen it until you hear a "click", then draw the stapler towards BACK and UP

REMOVER FOR SKIN STAPLER



Model No.:C-W & C-WC

Packing Detail:
200 pieces / carton (20 pieces x 10 boxes / carton)
Gross Weight of each carton: 3.80kgs
Net Weight of each carton: 2.80 kgs
Carton Size: 50.50 x 18.50 x 26.60 cm



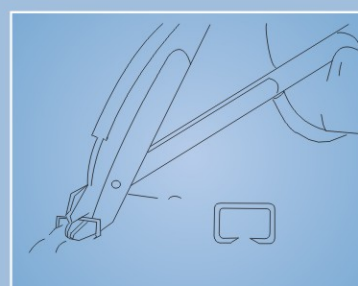
Our Remover for skin stapler is specially used for the removing of skin staples with the feature easy structure and novel appearance.

Application: For removing the skin staples

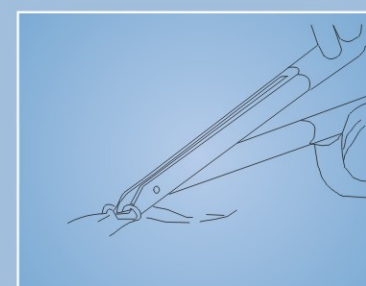
Features:

1. Simple and reasonable design, easy and fast remove
2. Remove both of our regular and wider size skin staples
3. Save handle time and remove with no pain.

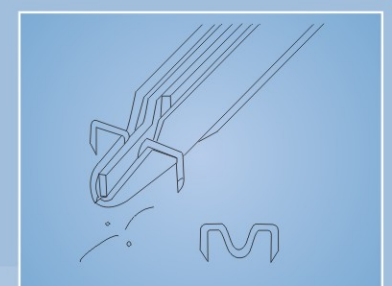
HOW TO USE ADVAN REMOVER



1.Insert the front part of the nether cutter to the underside of the staple



2.Clamp the upper and nether handle tightly until they are fully closed.



3.Take out of the complete unshaped stapler vertically from the skin surface operated.